

# HBD/8 BOLLARD

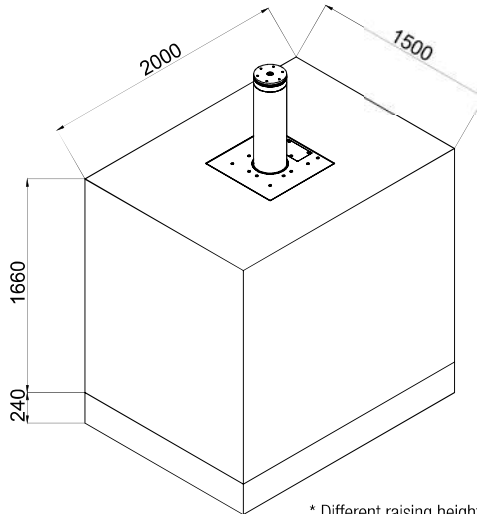
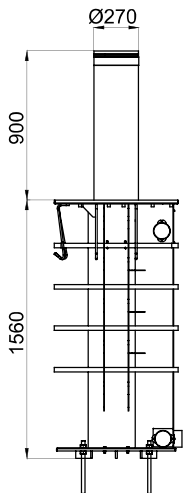
(Anti-terror / Heavy Duty - Retractable Model)



**M40 (K-8)  
ASTM F2656-07**



## Dimensions (mm)



\* Different raising heights are optionally available.

## Technical Features

<b>Power</b>	Standard 380V AC 3-Phase 50/60 Hz, 1,1 - 11 kW motor (varies depending on the number of bollards in the set to be fed and the accessories to be included). Operating with 24V DC in case of power failure is optionally available.
<b>Control Pack</b>	24V DC powered PLC control unit is placed in power unit cabinet. 24V DC (opt.12V DC / 220V AC) solenoids.
<b>Speed</b>	Standard operation ~2,5 - 6 sec. (ascend/descend) depending on the number of bollards in the set to be fed. Fast raise up (EFO, by optional hydraulic accumulator) ~1 - 1,5 sec. and may differ depending on the number of bollards in the set and the raising height.
<b>IP Rating</b>	IP55 - Hydraulic Power Unit (optionally electronics control unit with IP67 protection box) IP68 - Hydraulic Piston
<b>Operating Temperature</b>	-5°C / +55°C (opt. -30°C / +70°C)